

Spec-Thermal[®]

PRE-INSULATED MASONRY SYSTEM



Thermal Performance
Masonry Beauty Inside and Out



HI-R-H
HI-R-H HALF HIGH

Meets Stringent Energy Code requirements

Robust fully grouted construction for superior durability, safety and resilience

Saves Time and Expense due to Efficiency of Single Wythe Construction

Beautiful and Durable Masonry Finish Inside and Out

Available in Full and Half High Versions for Classic Masonry Beauty



Korfil® HI-R-H Pre-Insulated Masonry Systems

HI-R-H and HI-R-H Half High are pre-insulated fully grouted masonry wall systems that offer superior thermal performance. Throw out your expectation that masonry cannot meet stringent Code requirements; these products are game changers.

Applications

- Double exposed single wythe masonry walls with durable architectural finishes for conditioned spaces in all Climate Zones.
- Single wythe walls for conditioned spaces in all Climate Zones with furring/wallboard and/or interior or exterior insulation.
- Load-bearing walls above and/or below grade.

Thermal Performance

- Two part offset interlocking 3.5" or 4" insulation insert with lapped joints.
- The HI-R H wall systems minimize thermal bridging and use thick, interlocking Korfil® insulation inserts and interior exposed thermal mass to provide excellent energy conservation.
- Superior thermal performance to HI-R products.

Fully Grouted Wall System

- Barrier wall performance resists moisture penetration and condensation issues with use of integral water repellent in block and mortar and post-applied sealant.
- **Four hour** fire rating is typical. Check with manufacturer for details.
- No additional air barrier or vapor retarder is required with fully grouted masonry walls (assumes use of integral water repellent in unit and mortar)
- Great choice for structures designed to be resilient against natural hazards.
- Great choice for demanding applications requiring extensive reinforcement.

Construction Efficiency and Value

- Shape eases placement even with tight reinforcement spacing.
- No modification to stretcher unit required for bond beam construction.
- Utilities (plumbing and electrical) readily fit in unit cores and horizontal voids.
- Single trade installs interior and exterior finishes, structure and insulation in one step.
- Unit Width: 12" (10" in some regions only – please check with your representative).

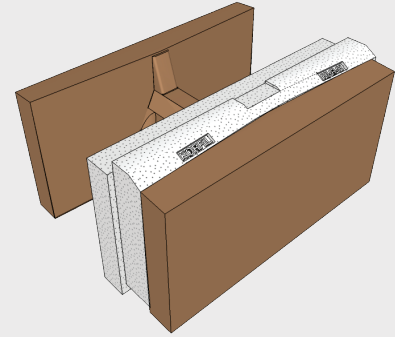


Thermal Properties

HI-R-H is a single web pre-insulated masonry unit suitable for fully grouted walls. Typically, it is the most cost-effective pre-insulated option.

Features:

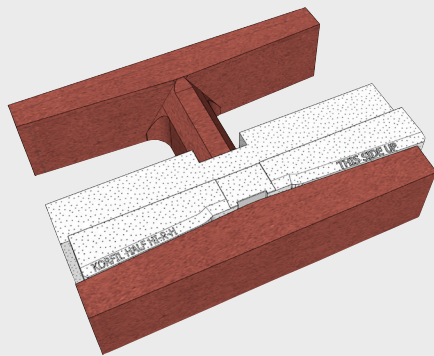
- Unit Dimensions: 12x8x16 nominal (10x8x16 available in some markets)
- Insulation Options: 3.5" or 4" Insulation Inserts are available - 3.5" for greater cost efficiency, 4" (for 12x8x16 only) where needed for greater performance
- Offered with full range of masonry textures and colors
- When made with Spec-Brik Colors the product is called **Spec-Brik Jumbo HI-R-H**



12x8x16 HI-R-H (Grouted)					
3.5 inch insulation inch insert	Density (pcf)				
	95	105	115	125	135
R _t Value	16.32	14.98	13.74	12.50	11.25
U Factor	0.061	0.067	0.073	0.080	0.089
Heat Capacity	20.10	20.80	21.50	22.10	22.80
Equivalent Thickness	9.60	9.60	9.60	9.60	9.60

12x8x16 HI-R-H (Grouted)					
4 inch insulation inch insert	Density (pcf)				
	95	105	115	125	135
R _t Value	17.56	16.12	14.78	13.45	12.11
U Factor	0.057	0.062	0.068	0.074	0.083
Heat Capacity	13.26	14.65	16.05	17.44	18.84
Equivalent Thickness	8.06	8.06	8.06	8.06	8.06

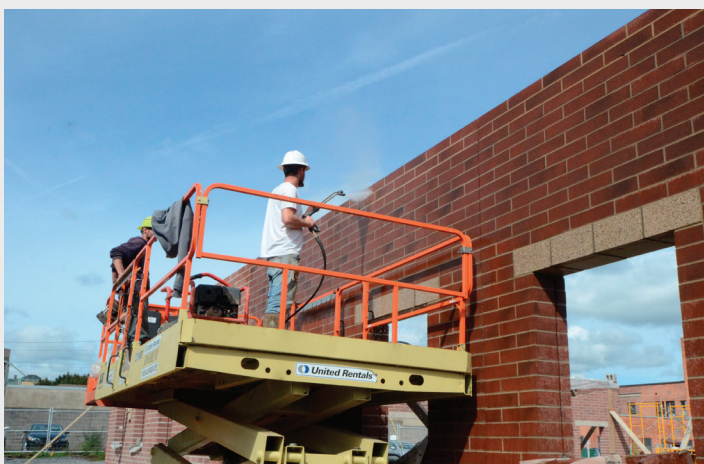
Check with your local manufacturer to confirm the density of concrete block they offer. Since this depends on locally available materials, density offerings will vary by location.



HI-R-H HALF HIGH is a single web pre-insulated masonry unit suitable for fully grouted walls that has a 4" x 16" face dimension.

Features:

- Available unit dimensions: 12"x4"x16" nominal
- Great for pre-insulated walls where brick aesthetics are desired.
- When made with SPEC-BRIK Colors, the product is called **SPEC-BRIK HI-R-H**.



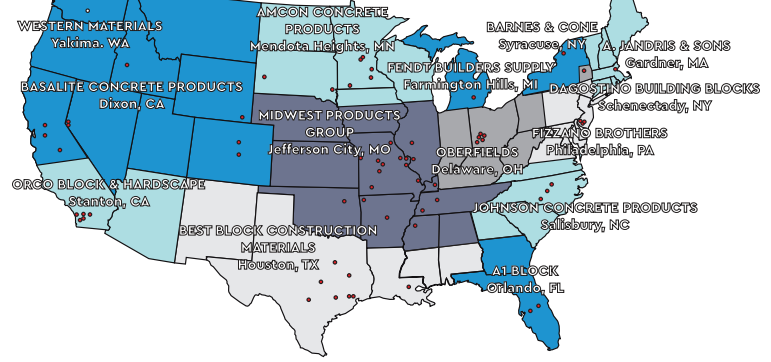
12x4x16 HI-R-H HALF HIGH/SPEC-BRIK HI-R-H					
4 Inch Insulation Insert	Density (pcf)				
	95	105	115	125	135
R _t Value	17.87	16.40	15.04	13.69	12.32
U Factor	0.056	0.061	0.066	0.073	0.081
Heat Capacity	11.59	12.81	14.03	15.25	16.47
Equivalent Thickness	7.88	7.88	7.88	7.88	7.88

Solutions Available Nationwide

The Concrete Products Group (CPG) consists of regional market leaders in the concrete products industry. CPG is organized to provide consistent, top-quality products to regional and national customers. CPG provides industry leading support and service throughout the nation.

We provide a comprehensive set of design resources to support designers, including a library of CAD Details, a Thermal properties guide, design and construction notes and videos and color selection and rendering tools that are available via a Revit® plug-in.

Please contact us if we can assist with your next project.



Manufacturing Locations

www.concreteproductsgroup.com
info@concreteproductsgroup.com
800-789-0872

A-1 BLOCK 1617 South Division Avenue Orlando, FL 32805	A. JANDRIS & SONS 202 High St. Gardner, MA 01440	AMCON CONCRETE PRODUCTS, LLC 2025 Centre Pointe Blvd., Suite 300 Mendota Heights, MN 55120-1221	BARNES & CONE P.O. Box 280 5894 Court St. Rd. Syracuse, NY 13206-0280	BASALITE CONCRETE PRODUCTS LLC 605 Industrial Way Dixon, CA 95620	DAGOSTINO BUILDING BLOCKS, INC. 1111 Altamont Avenue Schenectady, NY 12303	FENDT BUILDERS SUPPLY 22005 Gill Rd, Farmington, MI 48335
FIZZANO BROTHERS CONCRETE PRODUCTS, INC. 1776 Chester Pike Crum Lynne, PA 19022-1299	BEST BLOCK 7620 Washington Ave. Houston, TX 77007	JOHNSON CONCRETE COMPANY 217 Klumac Road Salisbury, NC 28144	MIDWEST PRODUCTS GROUP 12901 St. Charles Rock Rd. Bridgeton, MO 63044-2485	OVERFIELDS, LLC P.O. Box 362 528 London Rd. Delaware, OH 43015	ORCO BLOCK & HARDSCAPE 11100 Beach Blvd. Stanton, CA 90680-0129	WESTERN MATERIALS COMPANY 1202 South First Street Yakima, WA 98901



© 2020 Concrete Products Group, LLC
 All rights reserved. RD 01-08-2019

Hi-R and KORFIL are registered trademarks of CONCRETE BLOCK INSULATING SYSTEMS, INC.