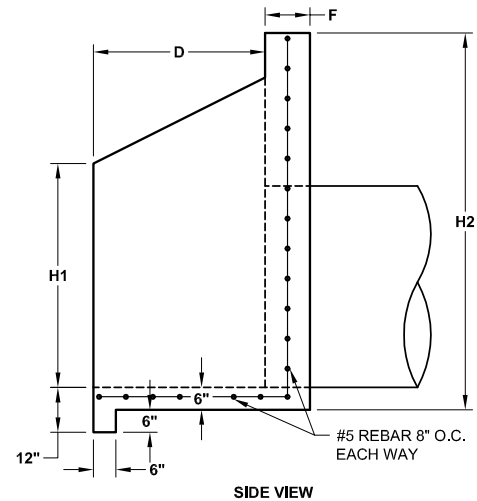
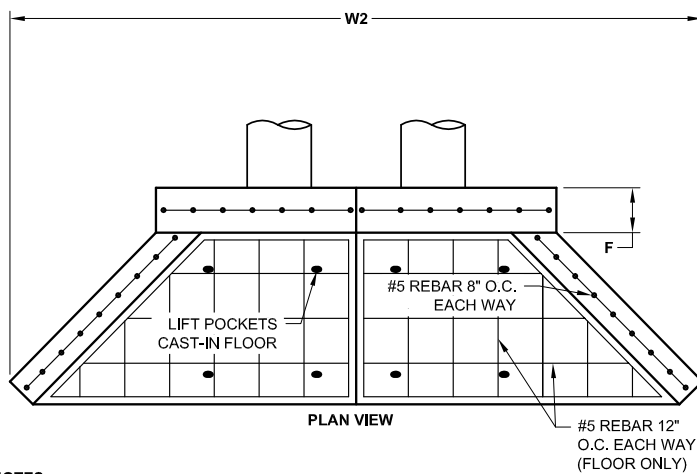
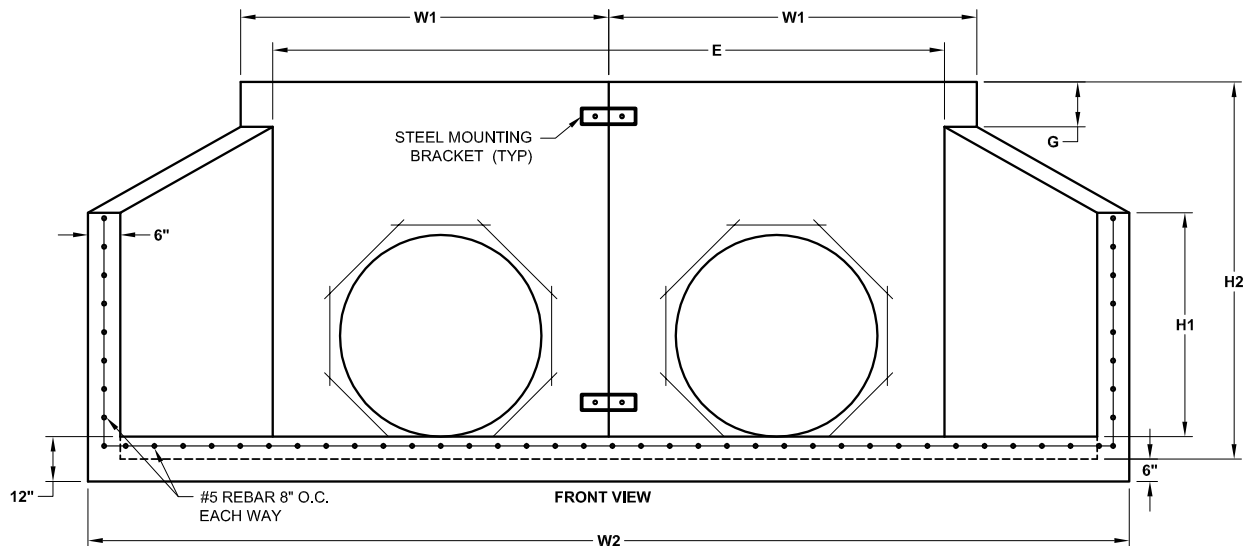


Precast Concrete Double Headwall

Produced by Mid-Atlantic Drainage, Inc

PRECAST CONCRETE DOUBLE HEADWALLS										
INSIDE PIPE DIAMETER	REBAR	WEIGHT	W1 (in)	W2 (in)	H1 (in)	H2 (in)	D (in)	E (in)	F (in)	G (in)
12" 15" 18"	#4	3730	44	108	23	42 1/2	18 1/2	180	12	12
21" 24"	#4	6340	50	136	31	56	24	66	6	14
27" 30" 36"	#5	8450	64	178	41	72	36	98	12	18
42" 48"	#5	11790	79	230	52	79	40	128	12	11
54" 60" 66" 72"	#5	31000	105	230	60	90	48	180	12	12



NOTES:

1. CONCRETE SHALL MEET OR EXCEED A COMPRESSIVE STRENGTH OF 4000 PSI
2. REINFORCEMENT STEEL SHALL MEET ASTM-706 OR ASTM 615 FOR GRADE 60 WITH 2" MINIMUM CLEARANCE
3. PIPES TO BE GROUDED INTO HEADWALL AT JOB SITE BY CONTRACTOR
4. ALL NCDOT APPROVED HEADWALLS SHALL HAVE ALL CORNERS CHAMFERED 1" OR HAVE RADIUS OF 1"

ALL HEADWALLS MEET OR EXCEED NCDOT (838.80) AND SCDOT (719-605) STANDARDS



Large enough to deliver.
Small enough to care.
Since 1947.

JohnsonProductsUSA.com

Corporate Headquarters
Pipe & Drainage Structures
217 Klumac Road
Salisbury, NC 28144
704.636.5231

Raleigh Area Showroom
Masonry & Hardscapes
1401 Hwy 42
Willow Spring, NC 27592
919.552.0233

Triad Area Showroom
Architectural Masonry & Hardscapes
514 Burgin Drive
Lexington, NC 27292
336.248.2918

Charlotte Area Showroom
Masonry & Hardscapes
106 Old Davidson Place NW
Concord, NC 28027
704.786.4204

