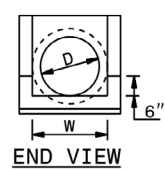
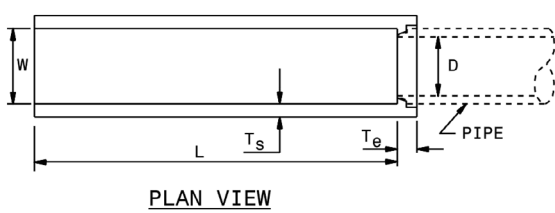
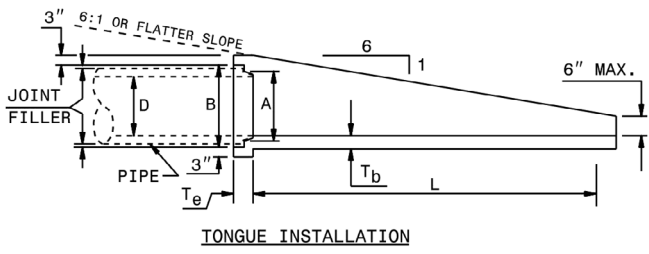
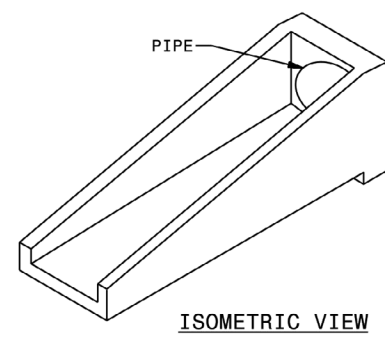
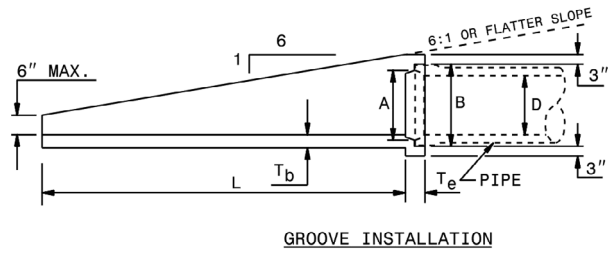
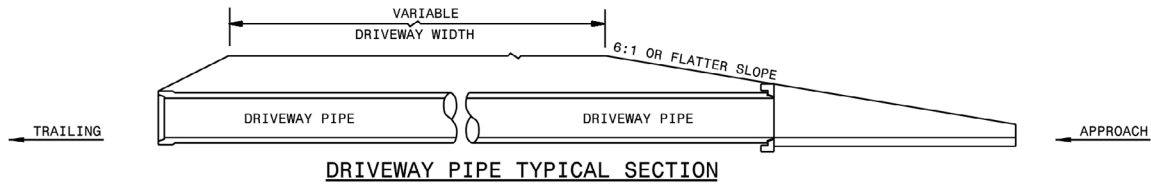


# NCDOT 310.02 - Parallel Pipe End

Section for 15" - 24" RCP - Produced by Mid-Atlantic Drainage, Inc



**NOTES:**

1. CONCRETE COMPRESSIVE STRENGTH SHALL BE 4000 PSI AT 28 DAYS.
2. REINFORCED STEEL TO MEET ASTM-706
3. ALL PRECAST ELEMENTS SHALL MEET ASTM-C913
4. CONSTRUCT PIPE END SECTION USING #4 REBAR SPACE 9" EACH WAY AND MEET ALL REQUIREMENTS OF STANDARD SPECIFICATION 310
5. PLACE LIFT HOLES OR PINS IN ACCORDANCE WITH OSHA STANDARD 1926.704
6. SEAL JOINTS WITH APPROVED SEALANTS
7. CHAMFER ALL EXPOSED CORNERS  $\frac{3}{4}$ "

END TREATMENT DIMENSIONS							
D	L	W	T <sub>s</sub>	T <sub>b</sub>	T <sub>e</sub>	A	B
15"	7'-6"	19"	4"	4"	6"	17 $\frac{3}{4}$ "	20 $\frac{7}{8}$ "
18"	9'-0"	23"	4"	4"	6"	21 $\frac{1}{4}$ "	25"
24"	12'-6"	30"	4"	4"	6"	27 $\frac{7}{8}$ "	32"



Large enough to deliver.  
Small enough to care.  
Since 1947.

[JohnsonProductsUSA.com](http://JohnsonProductsUSA.com)

Corporate Headquarters  
Pipe & Drainage Structures  
217 Klumac Road  
Salisbury, NC 28144  
704.636.5231

Raleigh Area Showroom  
Masonry & Hardscapes  
1401 Hwy 42  
Willow Spring, NC 27592  
919.552.0233

Triad Area Showroom  
Architectural Masonry & Hardscapes  
514 Burgin Drive  
Lexington, NC 27292  
336.248.2918

Charlotte Area Showroom  
Masonry & Hardscapes  
106 Old Davidson Place NW  
Concord, NC 28027  
704.786.4204

