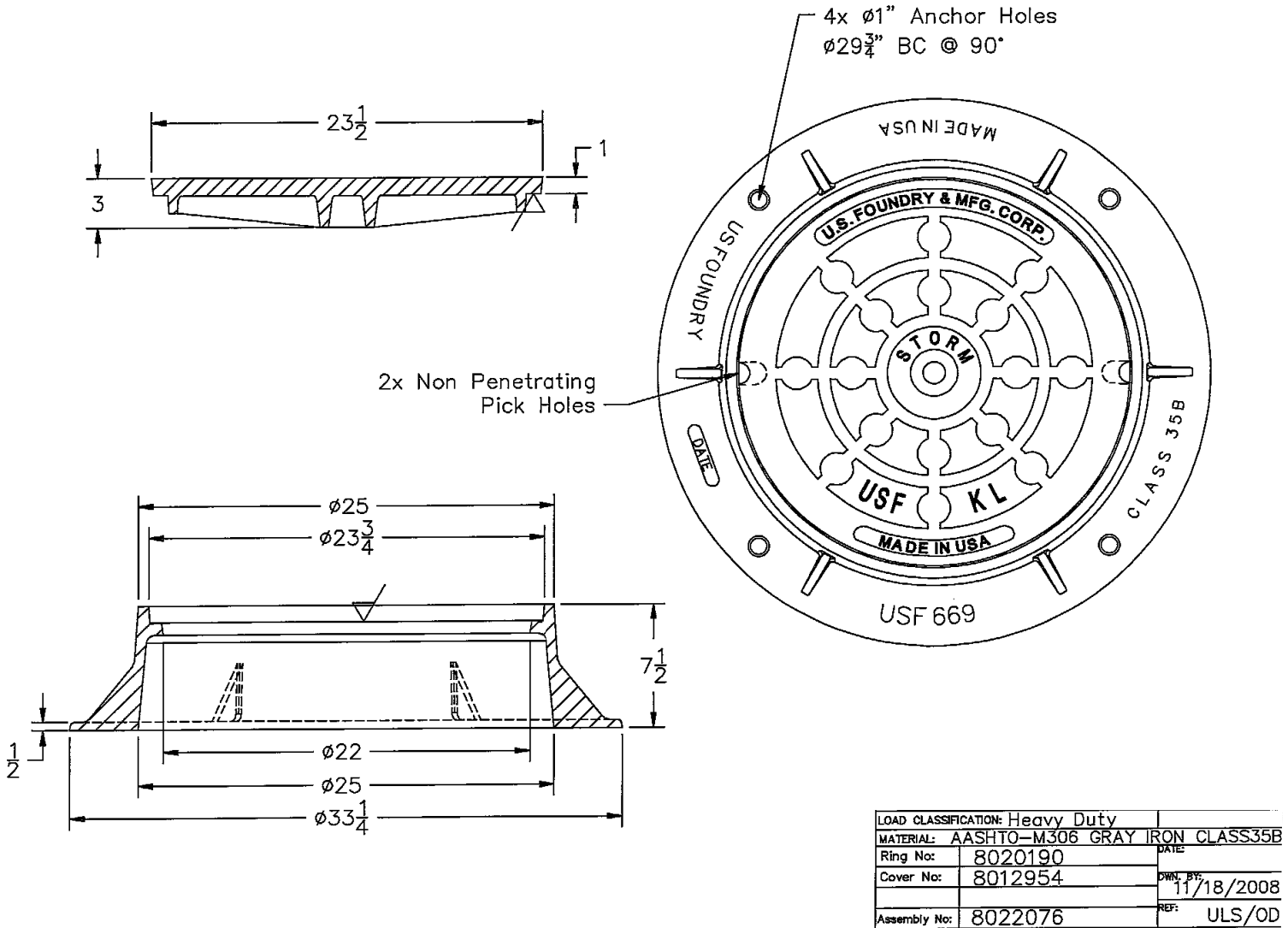


# USF 669 Ring and KL Cover

Produced by U.S. Foundry



Large enough to deliver.  
Small enough to care.  
Since 1947.

[JohnsonProductsUSA.com](http://JohnsonProductsUSA.com)

■ Corporate Headquarters  
Pipe & Drainage Structures  
217 Klumac Road  
Salisbury, NC 28144  
704.636.5231

■ Raleigh Area Showroom  
Masonry & Hardscapes  
1401 Hwy 42  
Willow Spring, NC 27592  
919.552.0233

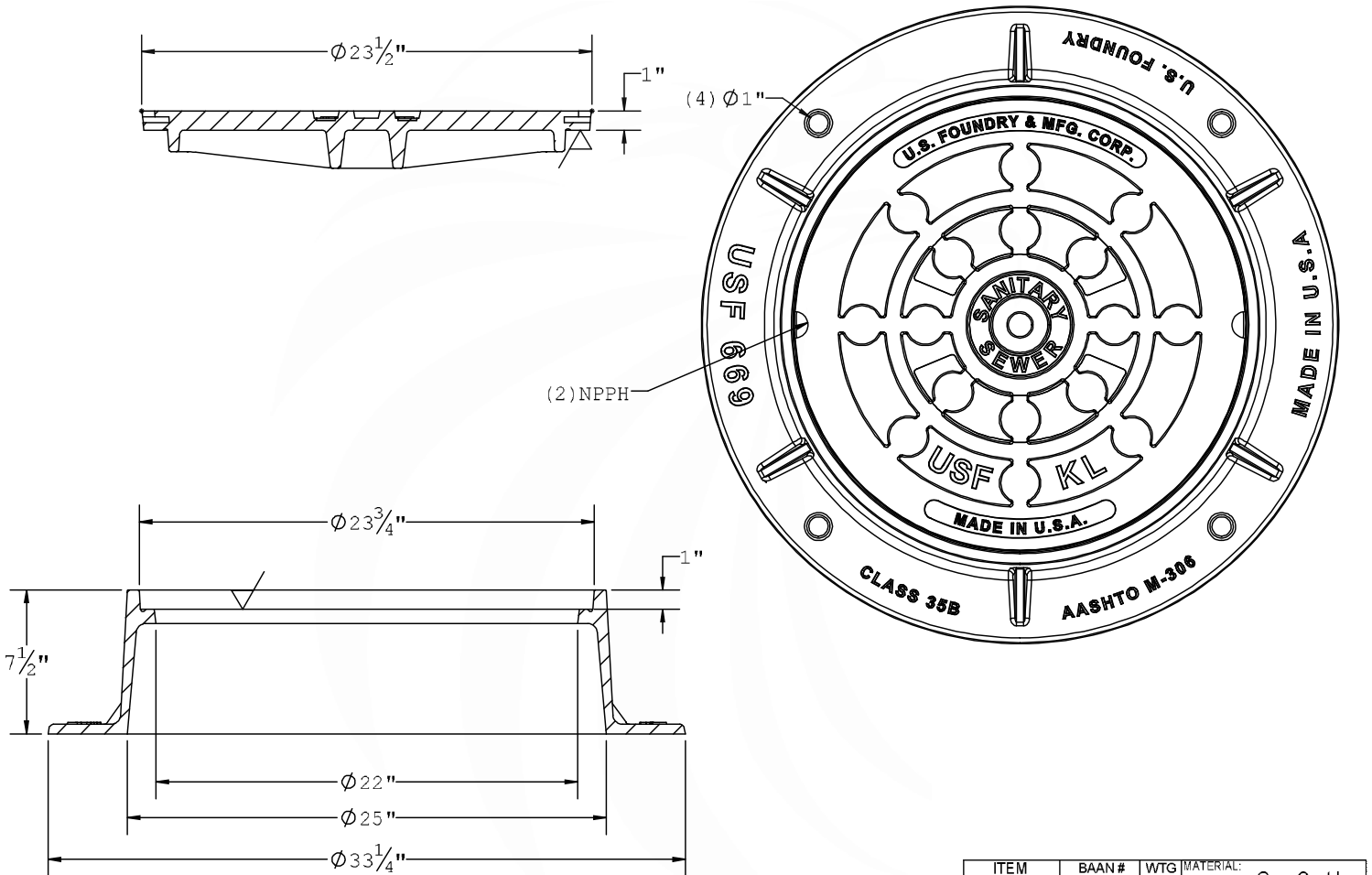
■ Triad Area Showroom  
Architectural Masonry & Hardscapes  
514 Burgin Drive  
Lexington, NC 27292  
336.248.2918

■ Charlotte Area Showroom  
Masonry & Hardscapes  
106 Old Davidson Place NW  
Concord, NC 28027  
704.786.4204



# USF 669 Ring and KL Cover

Produced by U.S. Foundry



ITEM	BAAN #	WTG	MATERIAL:
Ring	8020190	146	Gray Cast Iron
Cover	8012929	125	ASTM-A48 Class 35B
			LOAD CLASSIFICATION:
			Heavy Duty
Assembly	8022073	271	



Large enough to deliver.  
Small enough to care.  
Since 1947.

[JohnsonProductsUSA.com](http://JohnsonProductsUSA.com)

■ Corporate Headquarters  
Pipe & Drainage Structures  
217 Klumac Road  
Salisbury, NC 28144  
704.636.5231

■ Raleigh Area Showroom  
Masonry & Hardscapes  
1401 Hwy 42  
Willow Spring, NC 27592  
919.552.0233

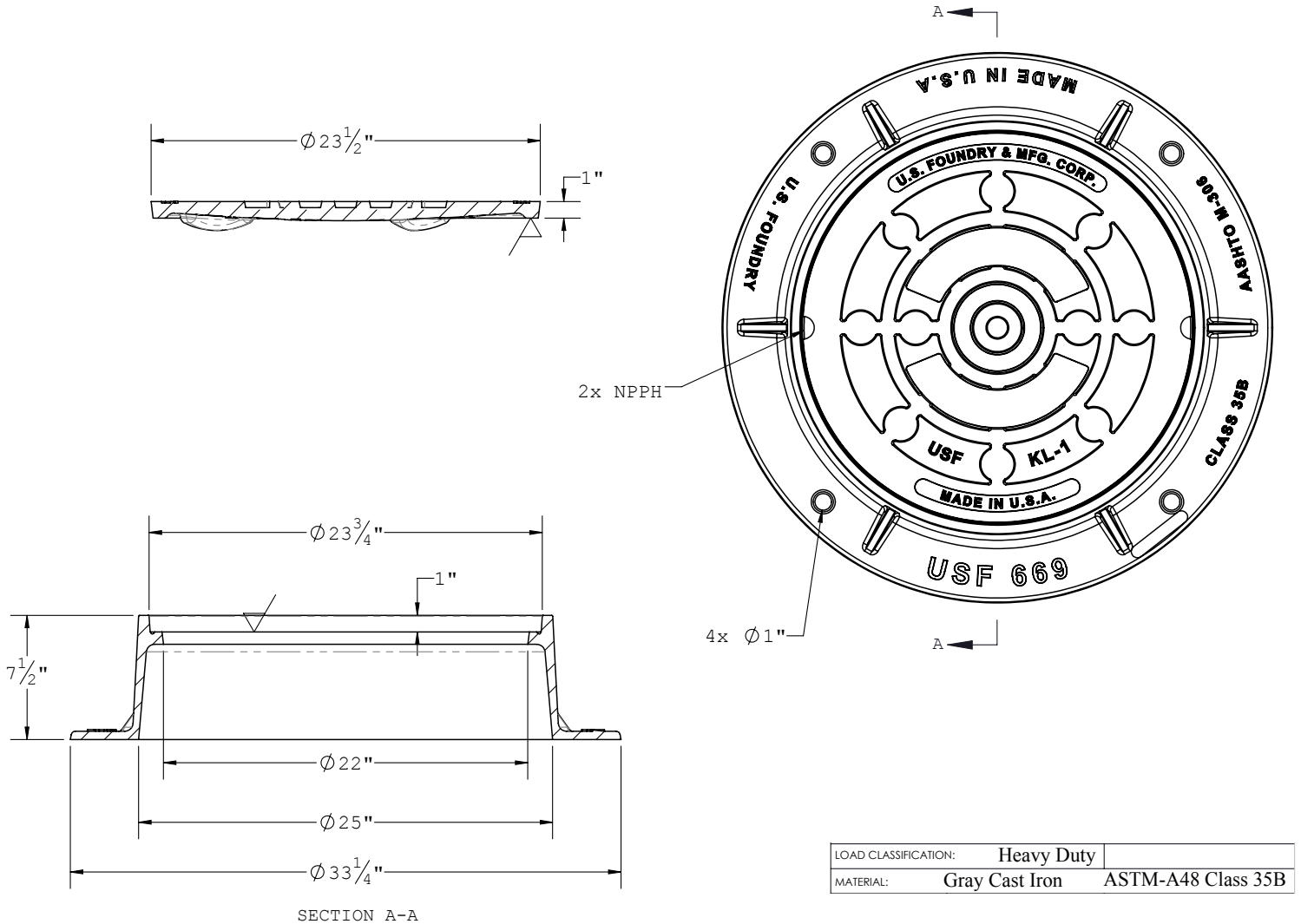
■ Triad Area Showroom  
Architectural Masonry & Hardscapes  
514 Burgin Drive  
Lexington, NC 27292  
336.248.2918

■ Charlotte Area Showroom  
Masonry & Hardscapes  
106 Old Davidson Place NW  
Concord, NC 28027  
704.786.4204



# USF 669 Ring and KL-1 Cover

Produced by U.S. Foundry



Large enough to deliver.  
Small enough to care.  
Since 1947.

[JohnsonProductsUSA.com](http://JohnsonProductsUSA.com)

■ Corporate Headquarters  
Pipe & Drainage Structures  
217 Klumac Road  
Salisbury, NC 28144  
704.636.5231

■ Raleigh Area Showroom  
Masonry & Hardscapes  
1401 Hwy 42  
Willow Spring, NC 27592  
919.552.0233

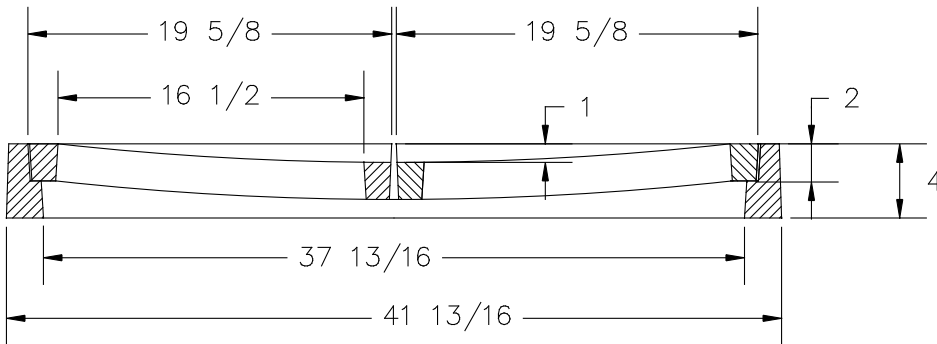
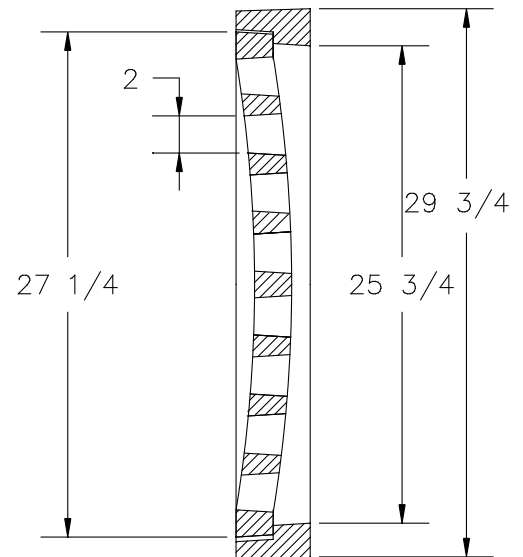
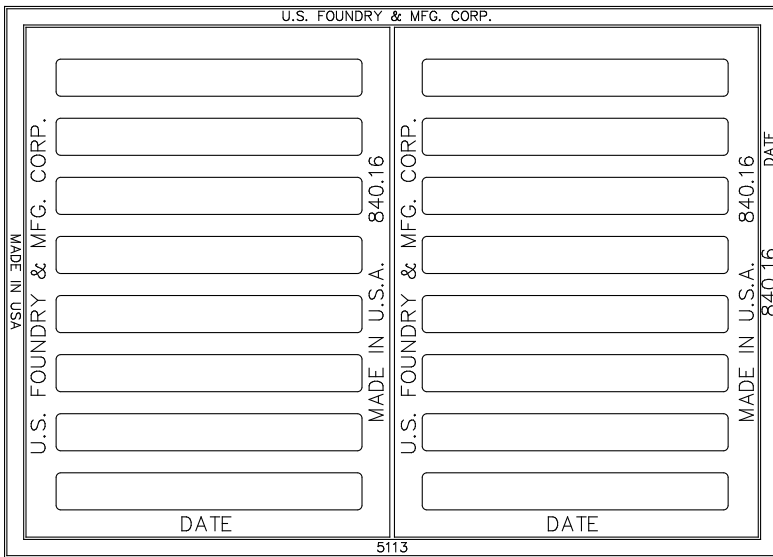
■ Triad Area Showroom  
Architectural Masonry & Hardscapes  
514 Burgin Drive  
Lexington, NC 27292  
336.248.2918

■ Charlotte Area Showroom  
Masonry & Hardscapes  
106 Old Davidson Place NW  
Concord, NC 28027  
704.786.4204



# USF 4616 Frame and 6221 Grate

Produced by U.S. Foundry



**NOTES:**

1. MATERIAL: ASTM-A48 CLASS 35B GRAY IRON.
2. FRAME WT: 220 LBS. APP.
3. GRATE WT: 250 LBS. APP.

DWN. BY: E.W.	SCALE: 1/8"=1"	DATE: 4/5/90
CHK. BY:	DWG. NO: A2296	REV:



Large enough to deliver.  
Small enough to care.  
Since 1947.

[JohnsonProductsUSA.com](http://JohnsonProductsUSA.com)

■ Corporate Headquarters  
Pipe & Drainage Structures  
217 Klumac Road  
Salisbury, NC 28144  
**704.636.5231**

■ Raleigh Area Showroom  
Masonry & Hardscapes  
1401 Hwy 42  
Willow Spring, NC 27592  
**919.552.0233**

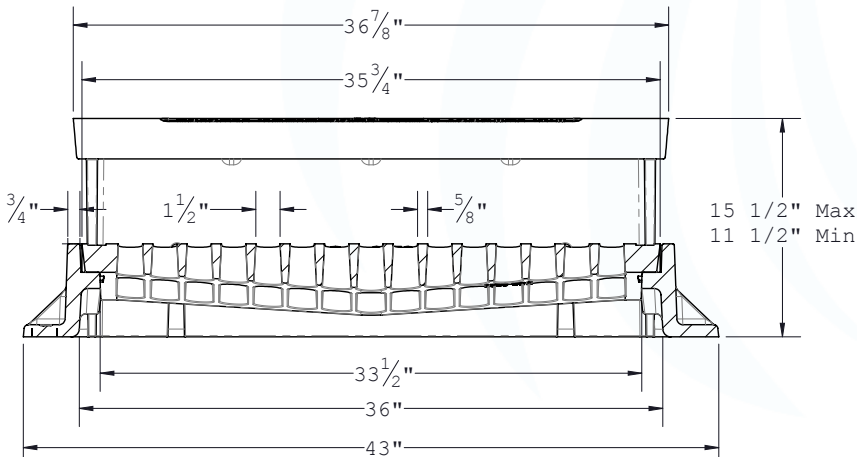
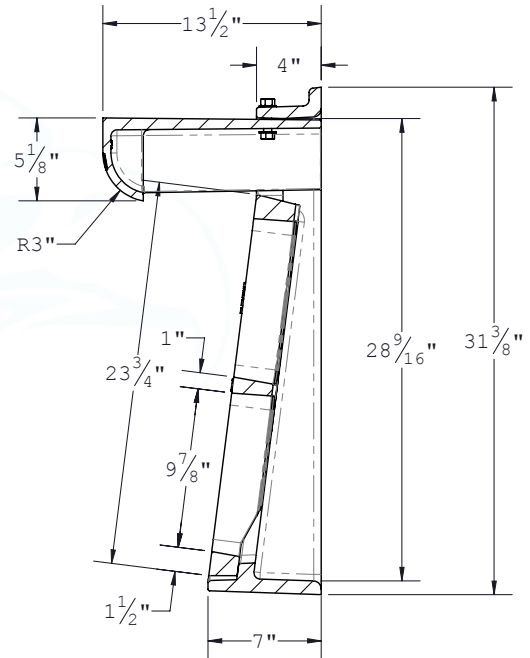
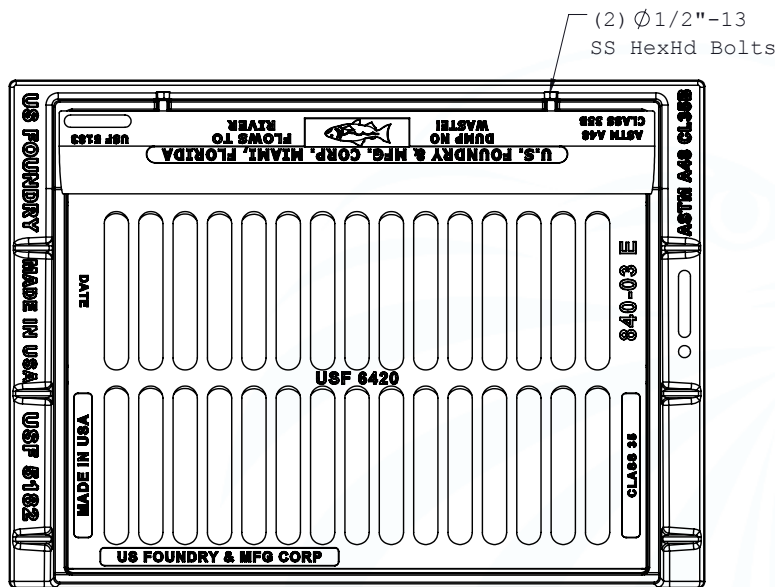
■ Triad Area Showroom  
Architectural Masonry & Hardscapes  
514 Burgin Drive  
Lexington, NC 27292  
**336.248.2918**

■ Charlotte Area Showroom  
Masonry & Hardscapes  
106 Old Davidson Place NW  
Concord, NC 28027  
**704.786.4204**



# USF 5181 Fr, Hd and 6420 Grate NCDOT

Produced by U.S. Foundry



ITEM	BAAN #	MATERIAL:
Frame	8030153	Gray Cast Iron
Grate	8070239	ASTM A48 Class 35B
Hood	8060021	LOAD CLASSIFICATION: Heavy Duty
Assembly	8050032	FLOW AREA: 430 in <sup>2</sup>



Large enough to deliver.  
Small enough to care.  
Since 1947.

[JohnsonProductsUSA.com](http://JohnsonProductsUSA.com)

■ Corporate Headquarters  
Pipe & Drainage Structures  
217 Klumac Road  
Salisbury, NC 28144  
704.636.5231

■ Raleigh Area Showroom  
Masonry & Hardscapes  
1401 Hwy 42  
Willow Spring, NC 27592  
919.552.0233

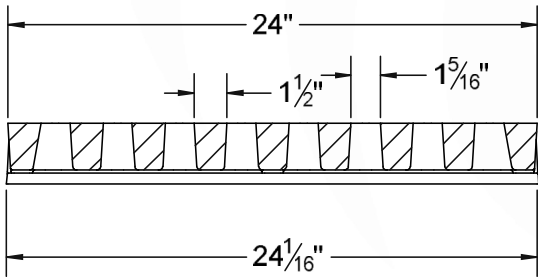
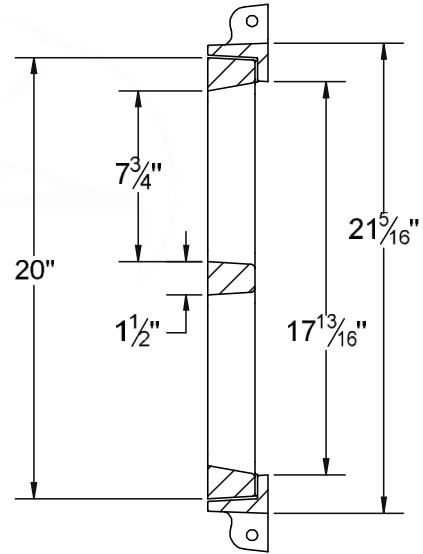
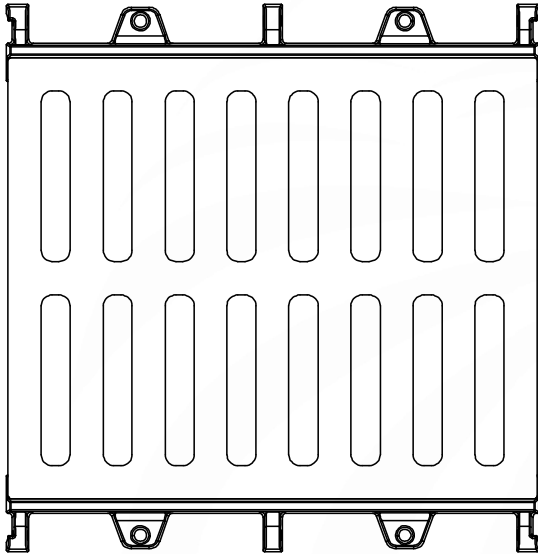
■ Triad Area Showroom  
Architectural Masonry & Hardscapes  
514 Burgin Drive  
Lexington, NC 27292  
336.248.2918

■ Charlotte Area Showroom  
Masonry & Hardscapes  
106 Old Davidson Place NW  
Concord, NC 28027  
704.786.4204



# USF 6545 Frame and 6227 Grate

Produced by U.S. Foundry



ITEM	BAAN #	MATERIAL:
Frame	8030501	Gray Cast Iron ASTM-A48 Class 35B
Grate	8070125	
Assembly	8040385	LOAD CLASSIFICATION: Heavy Duty



Large enough to deliver.  
Small enough to care.  
Since 1947.

[JohnsonProductsUSA.com](http://JohnsonProductsUSA.com)

■ Corporate Headquarters  
Pipe & Drainage Structures  
217 Klumac Road  
Salisbury, NC 28144  
704.636.5231

■ Raleigh Area Showroom  
Masonry & Hardscapes  
1401 Hwy 42  
Willow Spring, NC 27592  
919.552.0233

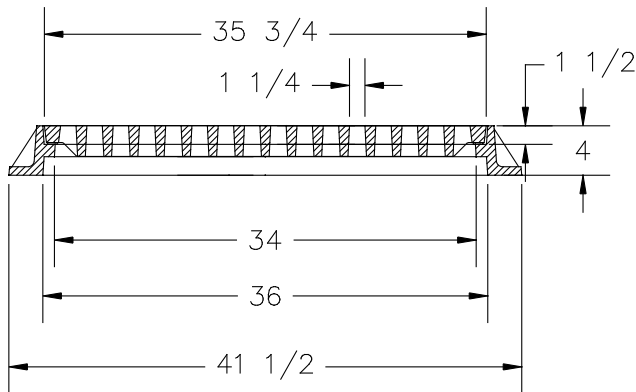
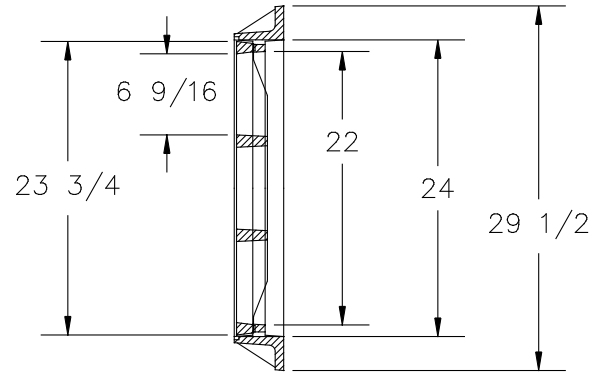
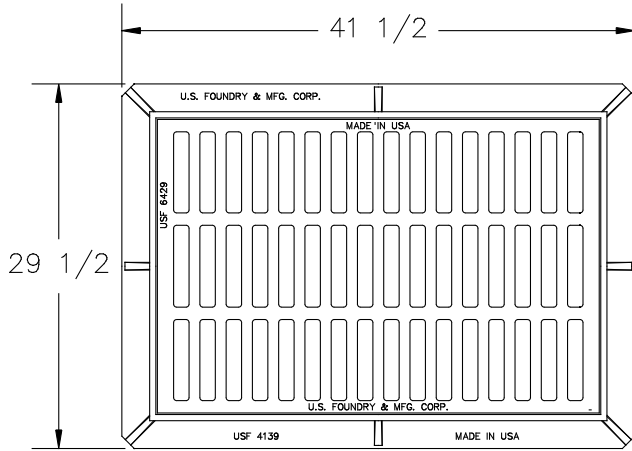
■ Triad Area Showroom  
Architectural Masonry & Hardscapes  
514 Burgin Drive  
Lexington, NC 27292  
336.248.2918

■ Charlotte Area Showroom  
Masonry & Hardscapes  
106 Old Davidson Place NW  
Concord, NC 28027  
704.786.4204



# USF 4139 Frame and 6429 Grate

Produced by U.S. Foundry



**NOTES:**

- 1- MATERIAL: ASTM-A48 CLASS 35B GRAY IRON.
- 2- FRAME WT: 165 LBS APP.
- 3- GRATE WT: 210 LBS APP.

DWN. BY: PCS	SCALE: 1"=1'-0"	DATE: 2/03/92
CHK. BY:	DWG. NO: A2691	REV:



Large enough to deliver.  
Small enough to care.  
Since 1947.

[JohnsonProductsUSA.com](http://JohnsonProductsUSA.com)

Corporate Headquarters  
Pipe & Drainage Structures  
217 Klumac Road  
Salisbury, NC 28144  
704.636.5231

Raleigh Area Showroom  
Masonry & Hardscapes  
1401 Hwy 42  
Willow Spring, NC 27592  
919.552.0233

Triad Area Showroom  
Architectural Masonry & Hardscapes  
514 Burgin Drive  
Lexington, NC 27292  
336.248.2918

Charlotte Area Showroom  
Masonry & Hardscapes  
106 Old Davidson Place NW  
Concord, NC 28027  
704.786.4204

